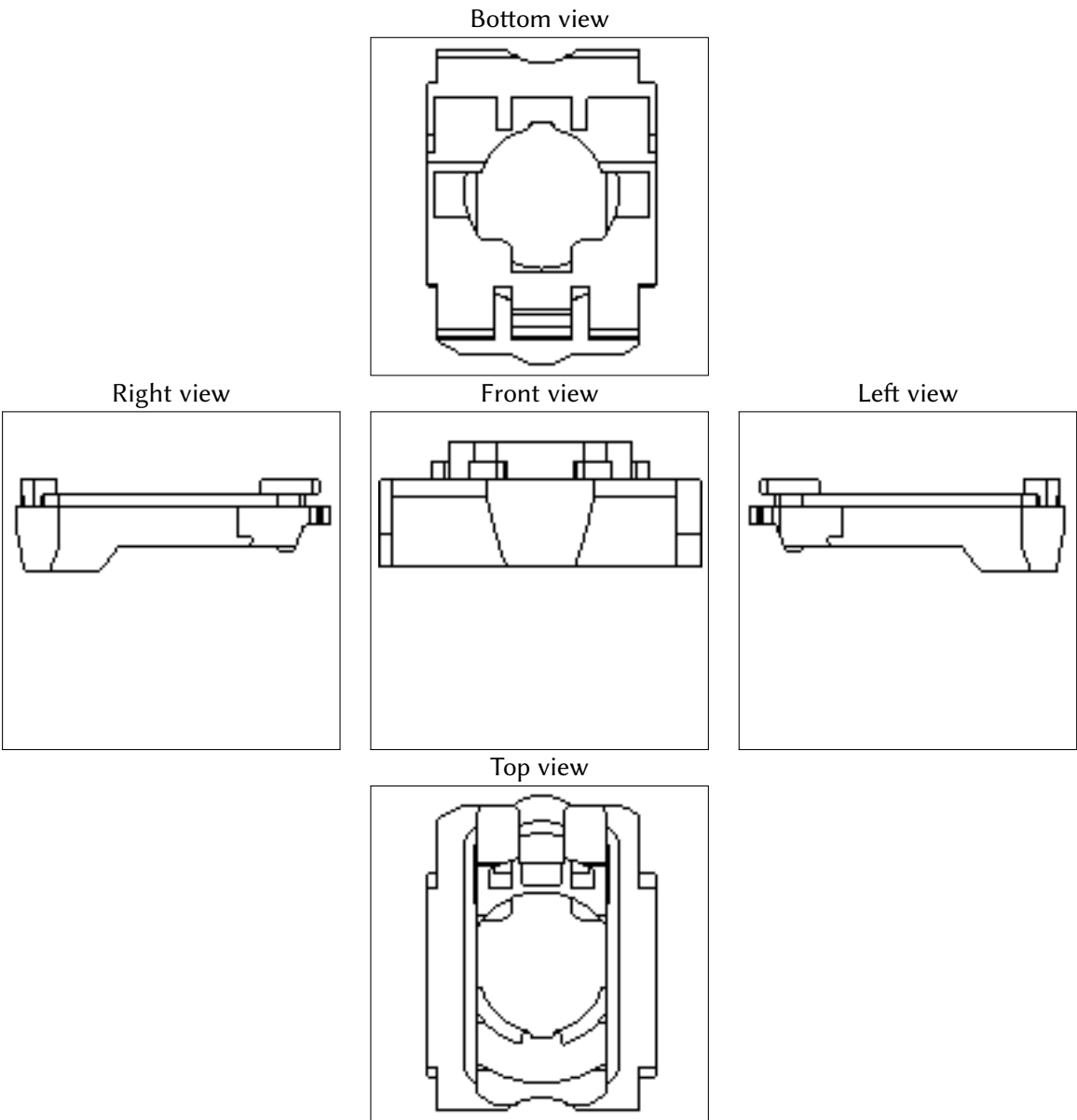


## Contents

	<b>Page</b>
<b>1 2D Views</b>	<b>2</b>
<b>2 Configuration settings</b>	<b>3</b>
<b>3 Attachments / Technical document</b>	<b>4</b>

# 1 2D Views



## 2 Configuration settings

Configuration	
Description	Plastic fixing base
Reference	ZB5AZ009

Bill of Materials Data	
Manufacturer	Schneider Electric
Description	Wireless and batteryless pushbutton XB5 R 22mm, Accessories, Plastic fixing base
Part number	ZB5AZ009
Omniclass number	23.35.25.00

### 3 Attachments / Technical document

Please double click with left mouse button on a paper clip symbol to open a file. You could also save a file when you click the symbol with the right mouse button.

- For further technical information about these products, please consult our site [www.schneider-electric.com](http://www.schneider-electric.com) 