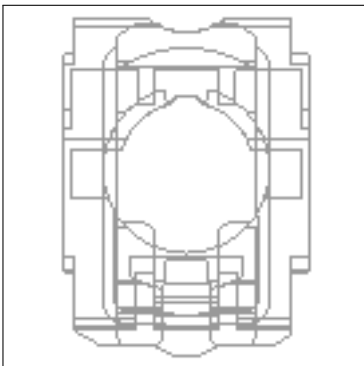


Contents

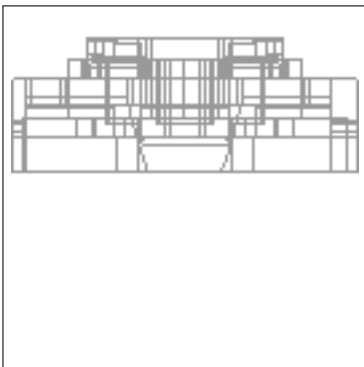
	Page
1 2D Views	2
2 Configuration settings	3
3 Attachments / Technical document	4

1 2D Views

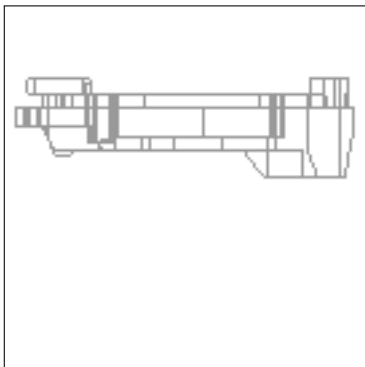
Bottom view



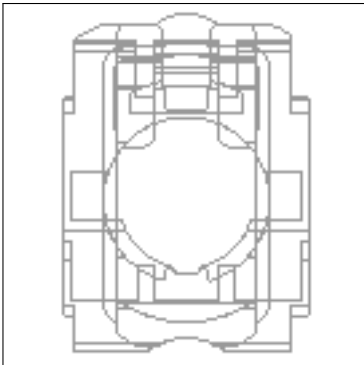
Front view



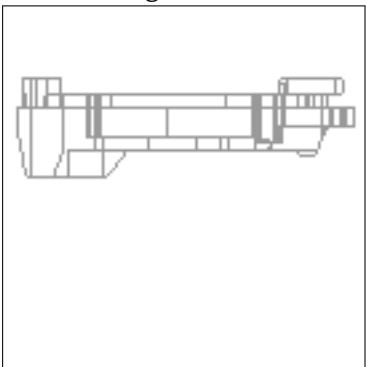
Left view



Top view



Right view



2 Configuration settings

Configuration	
Part Number	ZB5AZ009
Description	Body fixing collar for electrical block

Bill of Materials Data	
Manufacturer	Schneider Electric
Description	Body fixing collar for electrical block
Part Number	ZB5AZ009

3 Attachments / Technical document

Please double click with left mouse button on a paper clip symbol to open a file. You could also save a file when you click the symbol with the right mouse button.

- For further technical information about these products, please consult our site www.schneider-electric.com 